



# Vegetable Washer Vegetable Washer with Tank 8-30kg

ITEM # \_\_\_\_\_

MODEL # \_\_\_\_\_

NAME # \_\_\_\_\_

SIS # \_\_\_\_\_

AIA # \_\_\_\_\_



**660031 (LV200)**

Vegetable washer with fixed well capacity 200 lt, charge for cycle: 8/30 Kg

### Short Form Specification

Item No. \_\_\_\_\_

Made from 304 AISI stainless steel. Work area in non-toxic material.

Double inclined well bottom to allow automatic cleaning. Perforated stainless steel base filter easily removable; overflow and filter in 304 AISI stainless steel. Height-adjustable feet. Washing system by water vortex; automatic water filling.

Well capacity: 200 lt. Load per cycle: 8 kg (light vegetables); 30 kg (heavy vegetables). Cycle duration: 2-3 min.

### Main Features

- Work area in non-toxic material compatible with the use of food.
- Double inclined well bottom to allow automatic cleaning of the unit.
- Easy to remove perforated stainless steel filters.
- Washing well shaped to achieve an efficient water vortex.
- "Soft-action" manual ball valve regulates the wash water loading and pressure.
- Water inlet to unit via a solenoid valve.
- Simple control panel with a well drainage switch and knob to regulate recirculating water intensity.
- Cycle duration of 2 to 3 minutes.
- Mounted on adjustable stainless steel legs.
- IP25 protection against water jets, solid objects and small animals (larger than 6 mm).

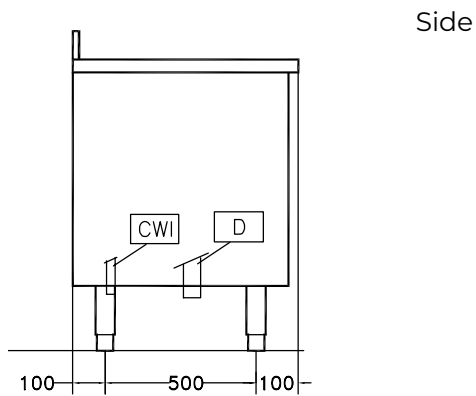
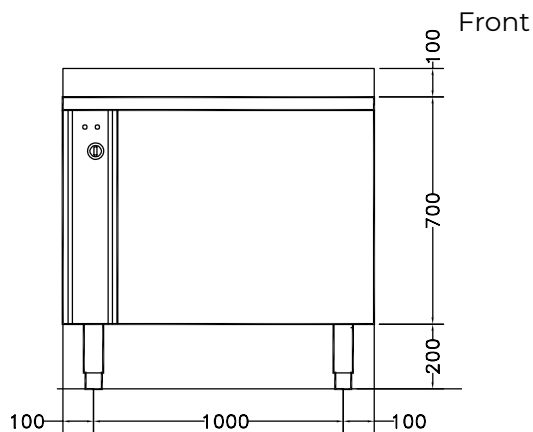
### Construction

- 304 AISI stainless steel construction throughout.
- Wells to have a capacity of 8 kg of light vegetables or 30 kg of heavy vegetables per cycle.

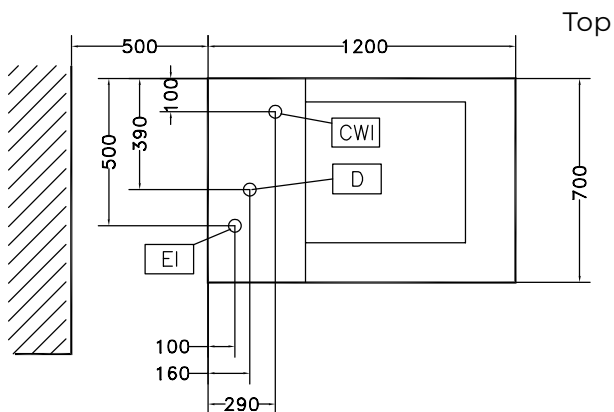
APPROVAL: \_\_\_\_\_



# Vegetable Washer Vegetable Washer with Tank 8-30kg



- CWI** = Cold Water inlet 1 (cleaning)
- D** = Drain
- EI** = Electrical inlet (power)



Electric

**Total Watts:**

**660031 (LV200)** 1.1 kW

Key Information:

<b>Usable well capacity:</b>	200 lt
<b>Load per cycle - light vegetables:</b>	8 kg
<b>Load per cycle - heavy vegetables:</b>	30 kg
<b>External dimensions, Width:</b>	1200 mm
<b>External dimensions, Depth:</b>	700 mm
<b>External dimensions, Height:</b>	850 mm
<b>Shipping weight:</b>	133 kg

Vegetable Washer  
Vegetable Washer with Tank 8-30kg

The company reserves the right to make modifications to the products without prior notice. All information correct at time of printing.

2024.04.24

